



**HARDING
STEEL**

CARPARX[®] VTS-1

Two-level Single-Platform Vehicle Transport System

For Discriminating Private Residences, Estates and Select Commercial Applications

Designed for today's largest cars, trucks and vintage automobiles



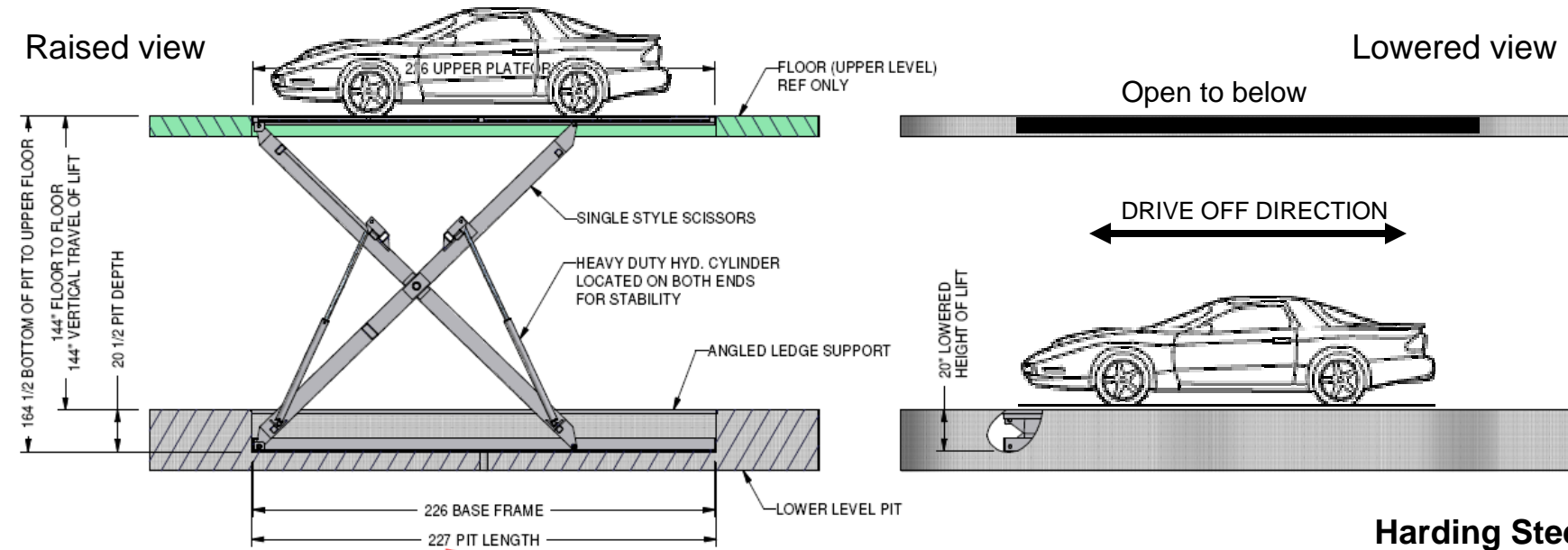
World Class Lifts Since 1968



**HARDING
STEEL**

CARPARX VTS-1 by Harding Steel

The world's finest inground parking systems



NOTE:
 WEIGHT OF UNIT: 8000 LBS
 CAPACITY: 6000 LBS
 WEIGHT OF UNIT PLUS CAPACITY: 14000 LBS
 PIT HAS TO BE MADE TO CITY'S SPECIFICATIONS

SECTION A-A
 SCALE 0.02 : 1
 230" length recommended

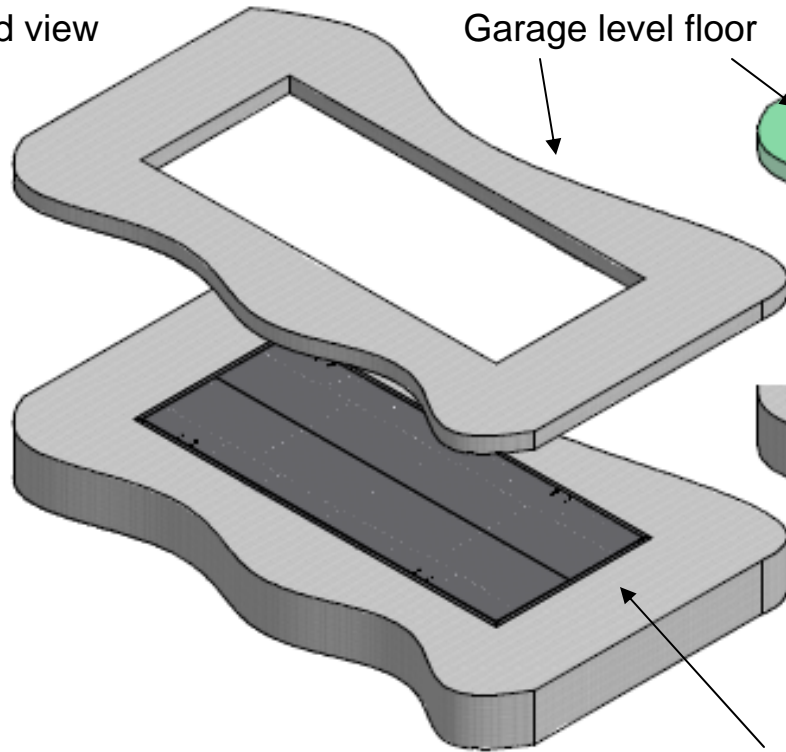
Harding Steel
CARPARX VTS-1
 Two-level Vehicle Transport System
 For private residences and estates

1	2	3	4	5
---	---	---	---	---



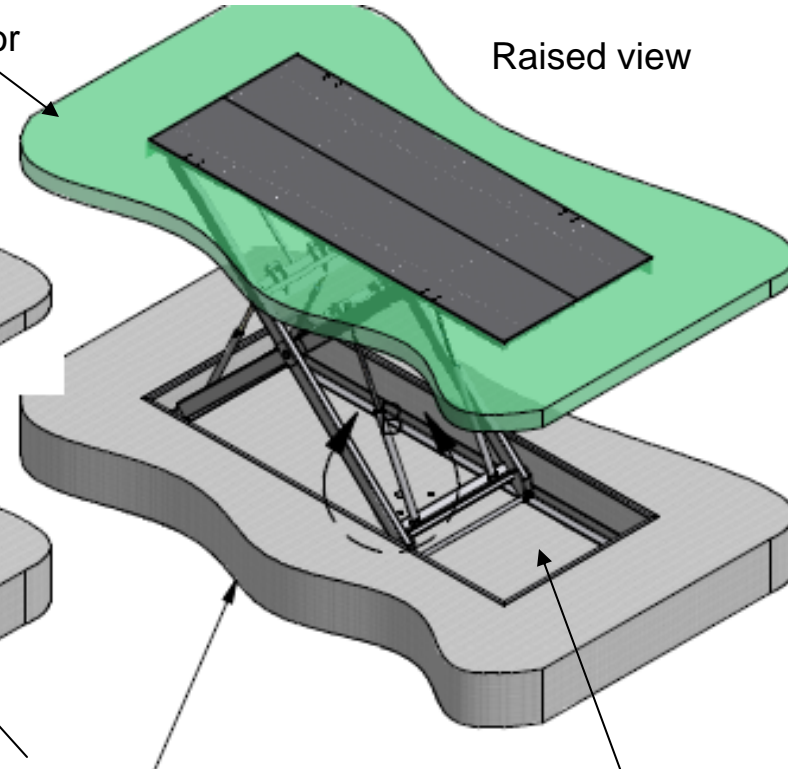
HARDING
STEEL

Lowered view



Garage level floor

Raised view



Basement or Motor court Floor

Mini-Pit in basement level slab

Harding Steel
CARPARX® VTS-1

Two-level Vehicle Transport System
For private residences and estates



Harding Steel CARPARX VTS-1

Features

- 100% premium steel construction
- Commercial grade design and materials
- Single, high-capacity scissors architecture for unsurpassed stability
- Four high-capacity hydraulic cylinders
- Self-standing, self-supporting unit
- Suitable for indoor installation
- 220V high flow hydraulic power pack and controls
- Oversized all diamond-plate steel platform
- Transport vehicles weighing up to 7500 pounds
- Quality enamel paint finish throughout
- Mechanical locking system for the upper position

Safety

- Platform is free of all trip hazards, pit gaps, or protruding columns
- Key-operated control switches for security and safety
- Hydraulic velocity fuses on all cylinders
- Automatic shut-off if operator releases the key-switch
- Wiring block for integrating safety interlock devices
- Optional sensor and interlock kits available
- Seismic certified in the State of California
- Transport systems must be properly enclosed and/or gated for safe operation.

Product - Construction Dimensions and Specifications	
Standard Platform Length	226"
Standard Platform Width	94"
Height of Machine in lowered position	20.5"
Maximum height in raised position	171"
Maximum vertical lift distance	148"
Maximum vehicle load	7500 lbs
Approximate Machine weight (empty)	8000 lbs
Finished Garage Floor Opening Dimensions:	
Finished opening - width	96"
Finished opening - length	228"
Basement Mini-pit Dimensions:	
Mini pit finished length	228-230"
Mini-pit finished width	96-98"
Mini-pit finished depth	20.5"
Power:	
208-220V Single Phase 30 amp	