



**Harding Steel, Inc.**  
*Mechanical and Automated Parking Systems*

**As Seen On HGTV!**



**Expand parking capacity with safe affordable parking lifts from Harding Steel**  
***Quality Parking Systems since 1968***

Harding Steel inc, 1751 Gilpin Street, Denver, CO 80218-1205  
303-762-9500 Fax: 303-733-4177  
Sales: 1-800-PARK-DBL, [www.hardingsteel.com](http://www.hardingsteel.com)  
Copyright 2005 Harding Steel, Inc. All Rights Reserved



Harding Steel, Inc.  
Mechanical and Automated Parking Systems

## Car Lift Features

- 100% galvanized steel construction
- Commercial grade design and materials
- Dual hydraulic cylinders
- Self-standing, self-supporting unit
- Can be moved or relocated
- Central or individual hydraulic power pack
- Solid platform prevents dripping from upper level
- Accommodates most popular SUVs and minivans
- Available in Tall, Low, Narrow, and Wide models
- Special SUV model available (shown at right)

## Safety

- Optional key-lock switch for security and safety
- Automatic shut-off if operator releases the key-switch
- Steel-on steel locks hold the upper platform in place
- Manual lock release required to lower the unit

## Dimensions

- Typical ceiling heights
  - Two Compacts 9'6"
  - Two Full Size 10'0"
  - One Full / One SUV 11'6"
  - Two SUVs (6' height) 12'10"
  - Two SUVs (6'3" height) 13'4"
- Width (side-to-side dimension)
  - 7'7" (narrow model)
  - 8'2" (standard model)
- Length
  - 12'4" (total parking lift length)
  - 11'7" (vehicle platform length)

## Power Requirements

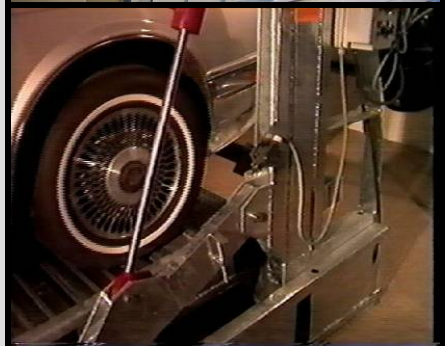
- 110V, 20 amp, single phase (for individual power pack)
- 220V, 20 amp, single phase (for individual power pack)
- 220V, 3-phase, 30 amp for commercial central power pack

## Shipping and Installation

- Shipped by common carrier to most locations
- Installed by factory trained technicians

## Warranty

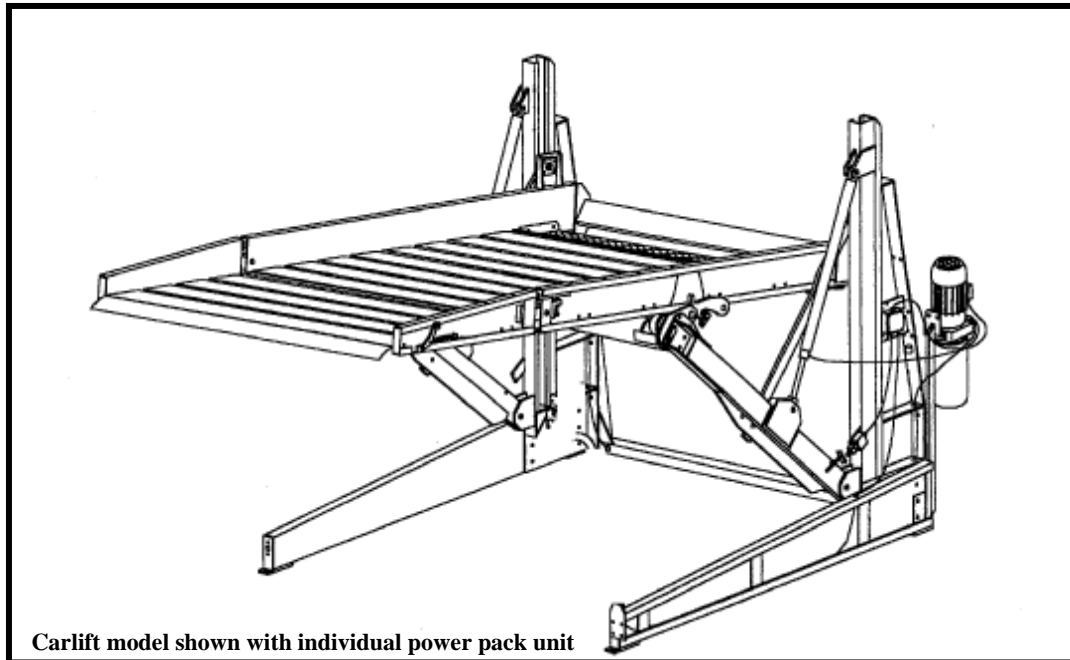
- One year electrical, two year mechanical, five year structural





# Harding Steel Mechanical Parking Lift Systems

Commercial - Residential – Retail Automotive



Carlift model shown with individual power pack unit

MODEL	A*	B*	C	D	E	F	G
Low-Narrow	4' 3"	5' 7"	7' 7"	12' 4"	11' 7"	6' 1"	8' 3"
Tall-Narrow	5' 7"	6' 11"	7' 7"	12' 4"	11' 7"	6' 1"	8' 3"
Low-Wide	4' 3"	5' 7"	8' 2"	12' 4"	11' 7"	6' 7"	8' 3"
Tall-Wide	5' 7"	6' 11"	8' 2"	12' 4"	11' 7"	6' 7"	8' 3"

**Features**

- 100% galvanized steel construction
- Commercial grade design and materials
- Dual hydraulic cylinders
- Self-standing, self-supporting unit
- Can be moved or relocated
- Individual or common hydraulic power pack
- Solid platform prevents dripping from upper level
- Accommodates most popular SUVs and minivans

**Safety**

- Individual operating switch per unit (optional key-lock)
- Automatic shut-off if operator releases the key-switch
- Steel-on steel locks hold the upper platform in place
- Manual lock release required to lower the unit

**Power Requirements**

- Common Power Packs: 30amp, 3phase, 220V
- Individual Power Pack: 110V, or 220V -single phase- 20amp

**Dimensions**

• Typical ceiling heights

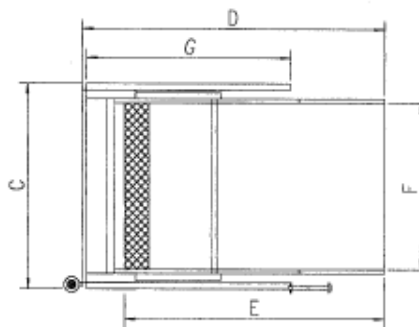
- Two Compacts 9'6"
- Two Full Size 10'0"
- One Full / One SUV 11'6"
- Two SUVs (6' height) 12'10"
- Two SUVs (6'3" height) 13'4"

• Width (side-to-side dimension)

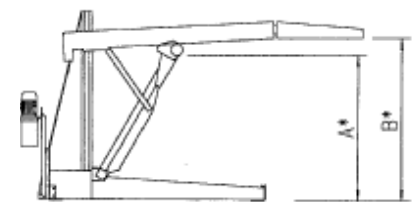
- 7'7" (narrow model)
- 8'2" (standard model)

• Length

- 12'4" (total parking lift length)
- 11'7" (vehicle platform length)



Plan View



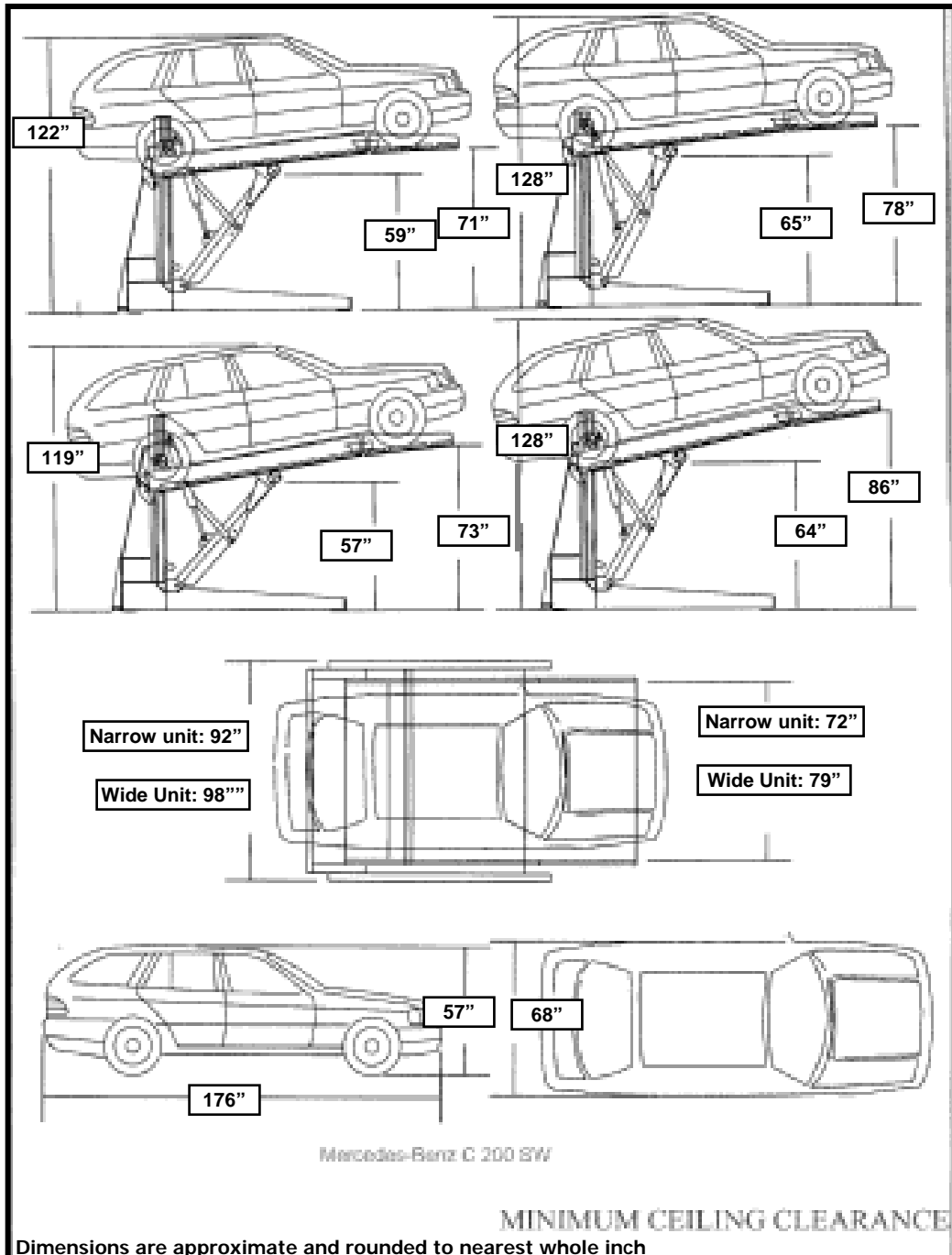
Cross Section



Harding Steel, Inc.  
Mechanical and Automated Parking Systems

## Harding Steel Tall Model Car Lifts

Dimensions in Inches

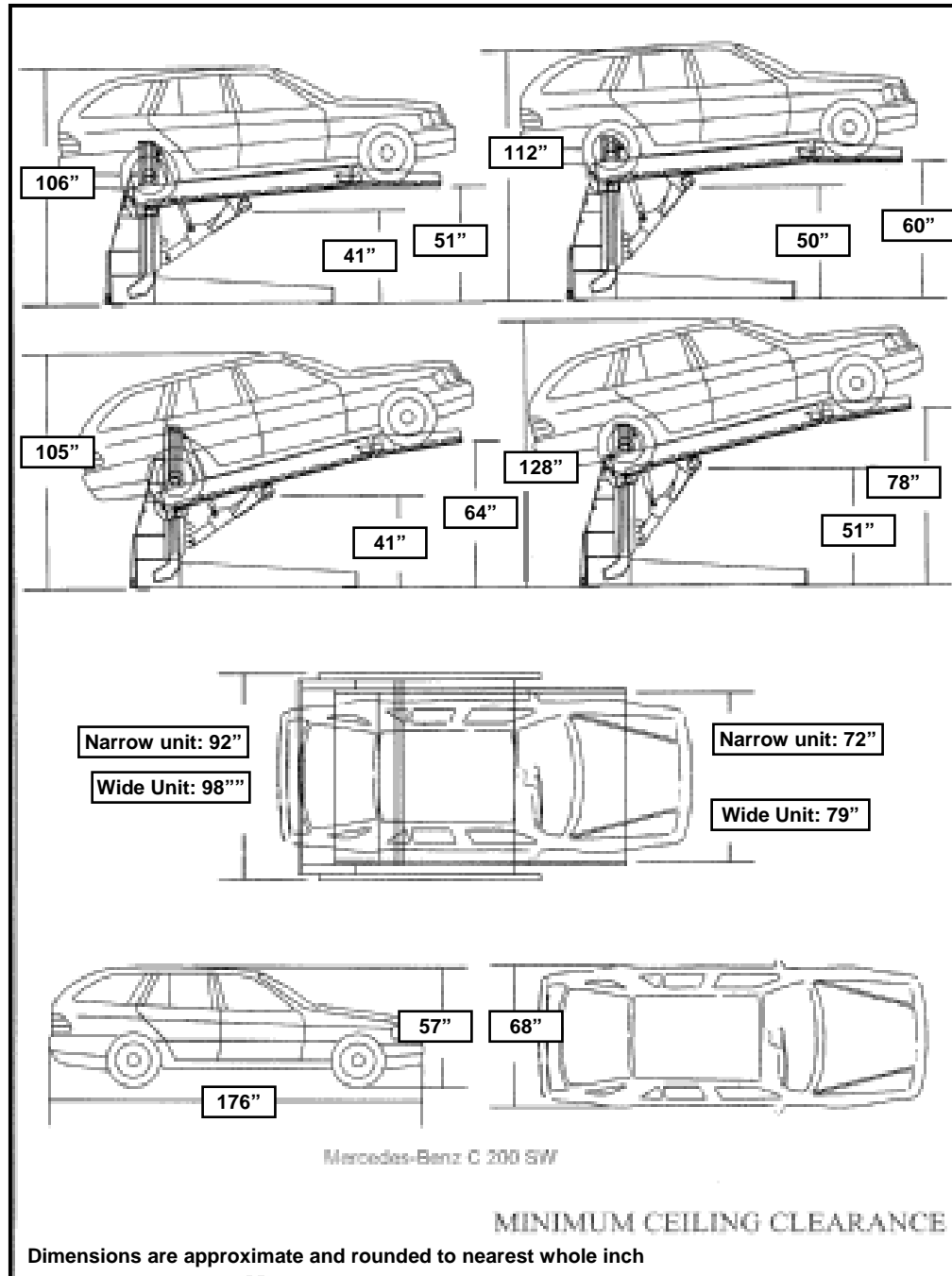




Harding Steel, Inc.  
Mechanical and Automated Parking Systems

## Harding Steel Low Model Car Lifts

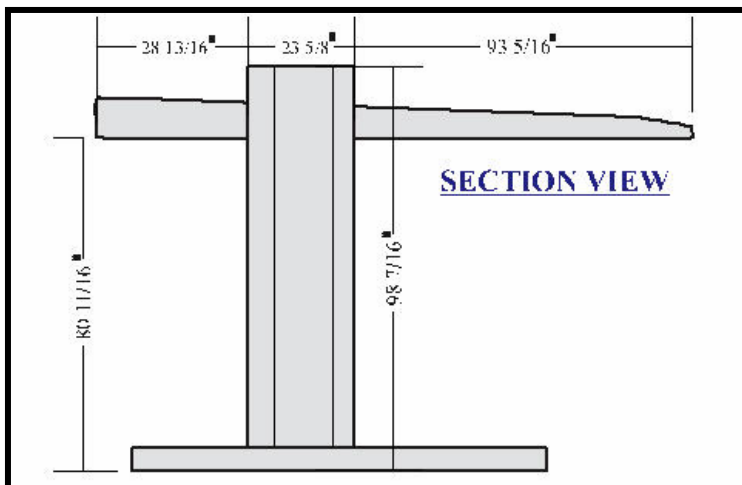
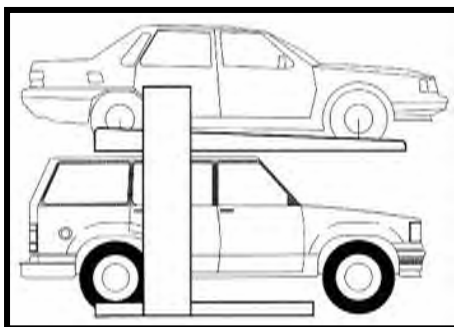
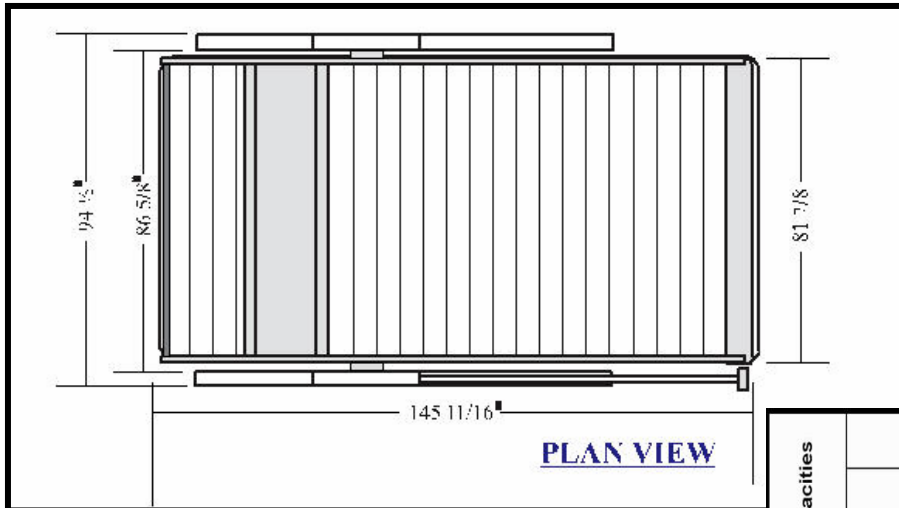
Dimensions in Inches





Harding Steel, Inc.  
Mechanical and Automated Parking Systems

# Harding Steel SUV Lift



Capacities	Working Capacity	6600 lbs
	Dynamic Capacity	9900 lbs
	Static Capacity	13200 lbs
Dimensions	Overall Width	94 1/2"
	Platform Width	81 7/8"
	Drive-thru width	86 5/8"
	Overall platform width	145 11/16"
	Maximum vehicle wheelbase	141"
	Maximum Clearance (lower car)	79"
	Overall height	98 7/16"
Speeds	Lifting Speed (sec.)	35 seconds
	Lowering Speed (sec.)	30 seconds
Power	Power Requirements	220V 30amp 3-phase 220 V 40 amp single phase
Features	Application	Outdoor/indoor
	Surface	Asphalt/concrete
	Material	100% Galvanized Steel